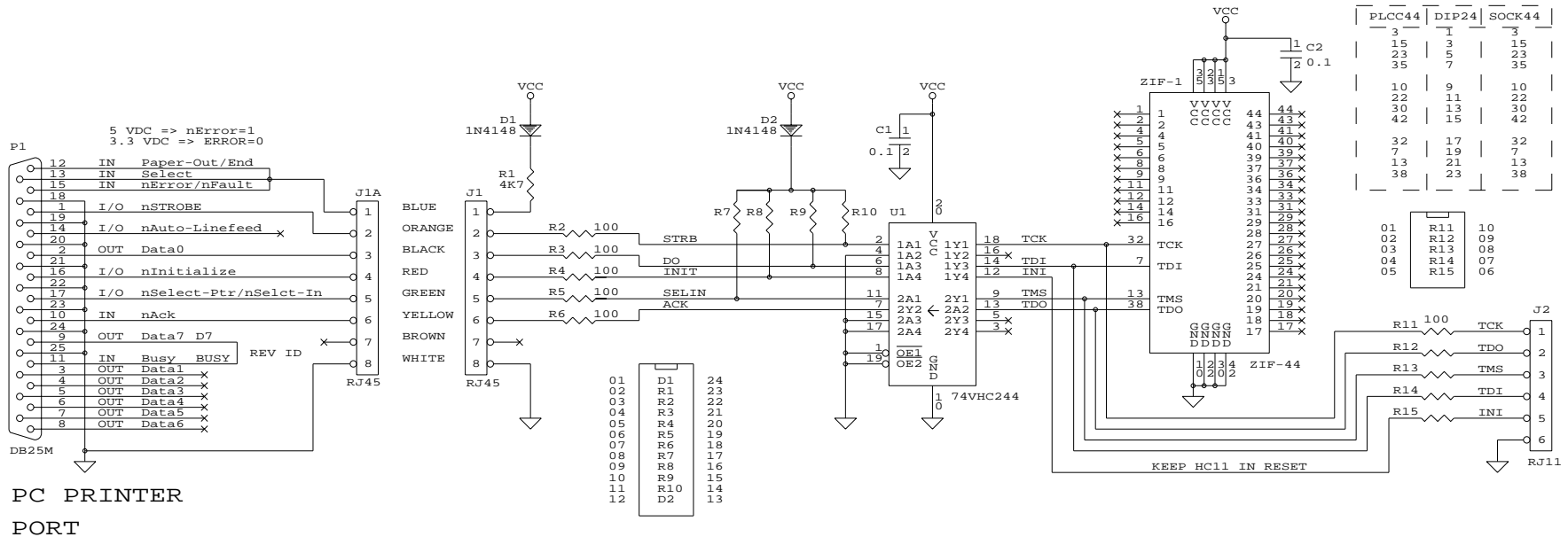


MICRONATOR isp-ATMEL PROGRAMMER

FOR ATF1502AS-10JC or any JTAG Devices

REVISION

DATE	DESCRIPTION	APRVD:
011020	START OF DESIGN	M.-A. R.
011023	DB25>RJ45>RJ11	M.-A. R.



PC PRINTER PORT

PORT

NOTES

- The noconnects on ZIF-1 represent no connections.

25 OCTOBRE 2001 @ 16:29 EDT

RF-232 <http://www.micronator.com>
 1404, rue Galt 21, rue Andre Gide
 Montreal, QC H4E 1H9 59123 Zuydcoote
 Canada France
 TEL: (514) 761-4201 03-28-58-28-39

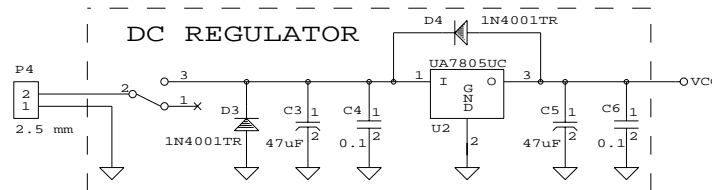
Title		
MICRONATOR isp-ATMEL PROGRAMMER		
Size	Document Number	REV
B	C:\...\PLDATME\ISPATMEL.SCH	1.0
Date:	October 25, 2001	Sheet 1 of 1

© COPYRIGHT OCT. 2001 by RF-232

All rights reserved. No part of this circuit may be used or reproduced in any form or by any means, or stored in a data-base or retrieval system, without prior written permission of RF-232.

<http://www.micronator.com>

DC REGULATOR



TOP
1GO
RNU
DT