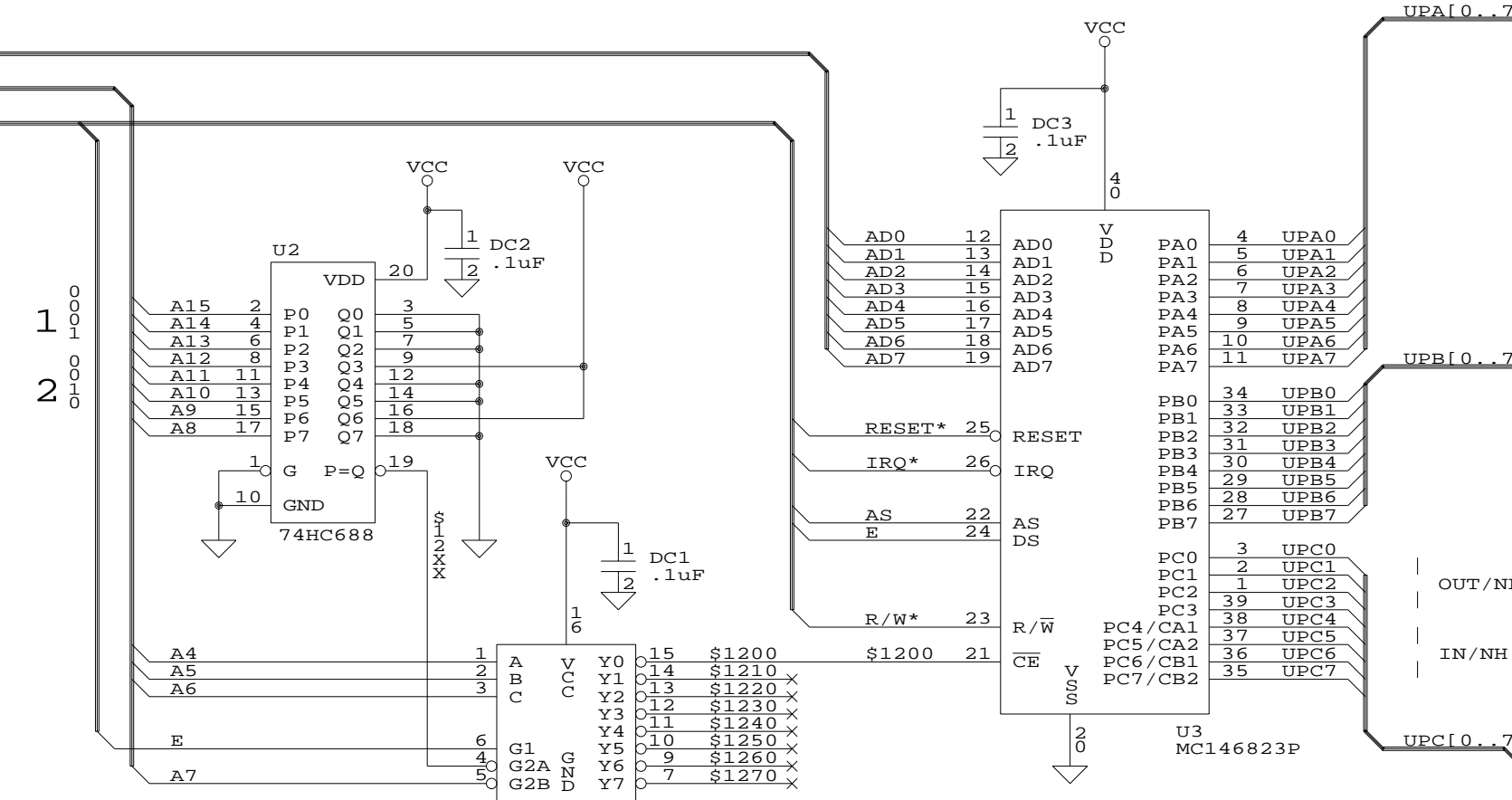
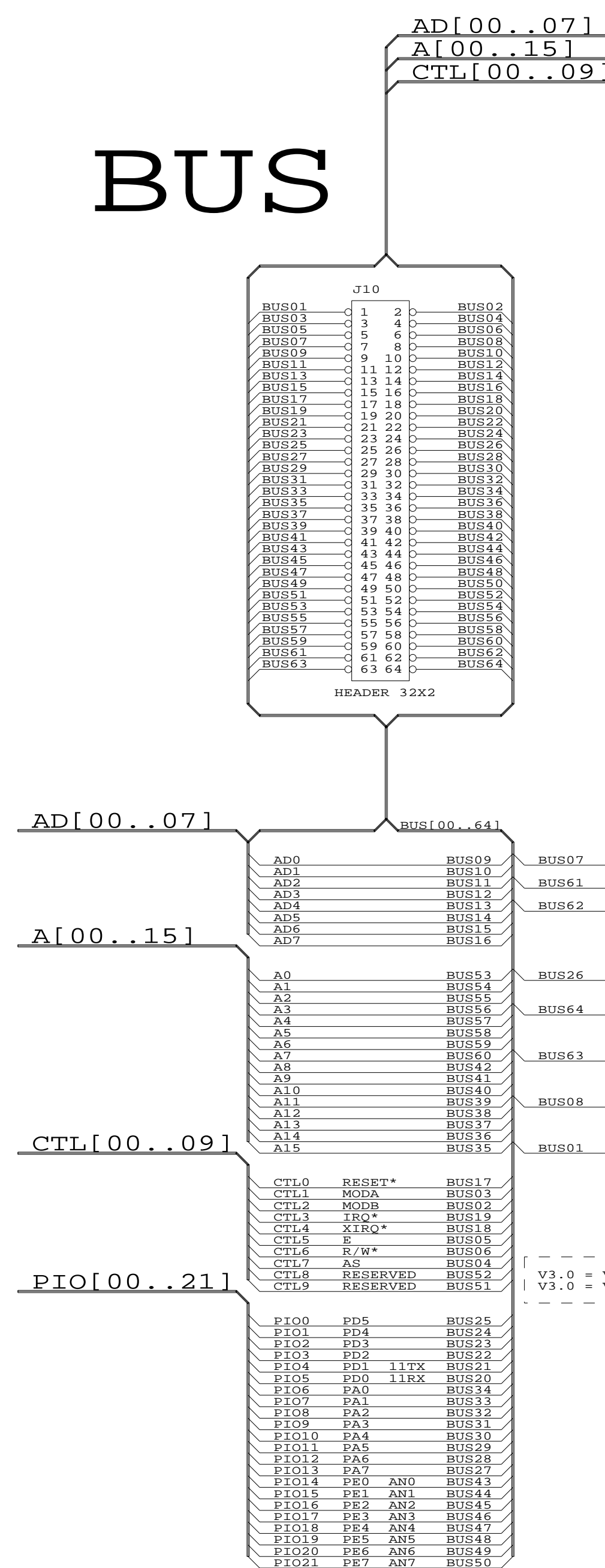


# MC68HC11A1 USER INTERFACE

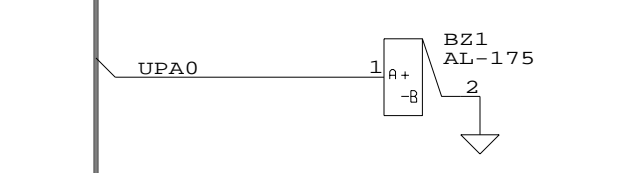
REVISION		
DATE	DESCRIPTION	APRed
93 07 28	WIRE WRAPPED	M.-A. R.
94 07 07	CHANGE THE LAYOUT OF THE DRAWING	M.-A. R.
94 07 14	FINAL FOR PCB	M.-A. R.
94 07 18	14 PINS SIP FOR LCD	M.-A. R.

© COPYRIGHT 1993 by RF-232 (2968-6177 QUEBEC INC.)  
 All rights reserved. No part of this circuit may be used or reproduced in any form or by any means, or stored in a data-base or retrieval system, without prior written permission of RF-232.  
 TEL: (514)761-4201 FAX: (514)761-0974

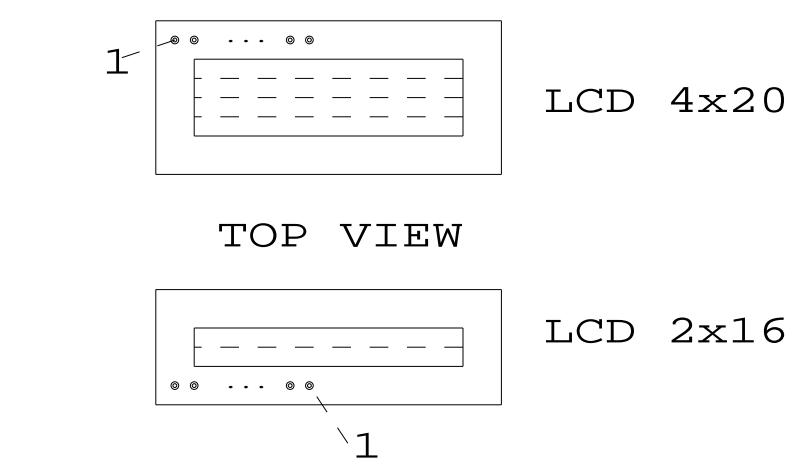
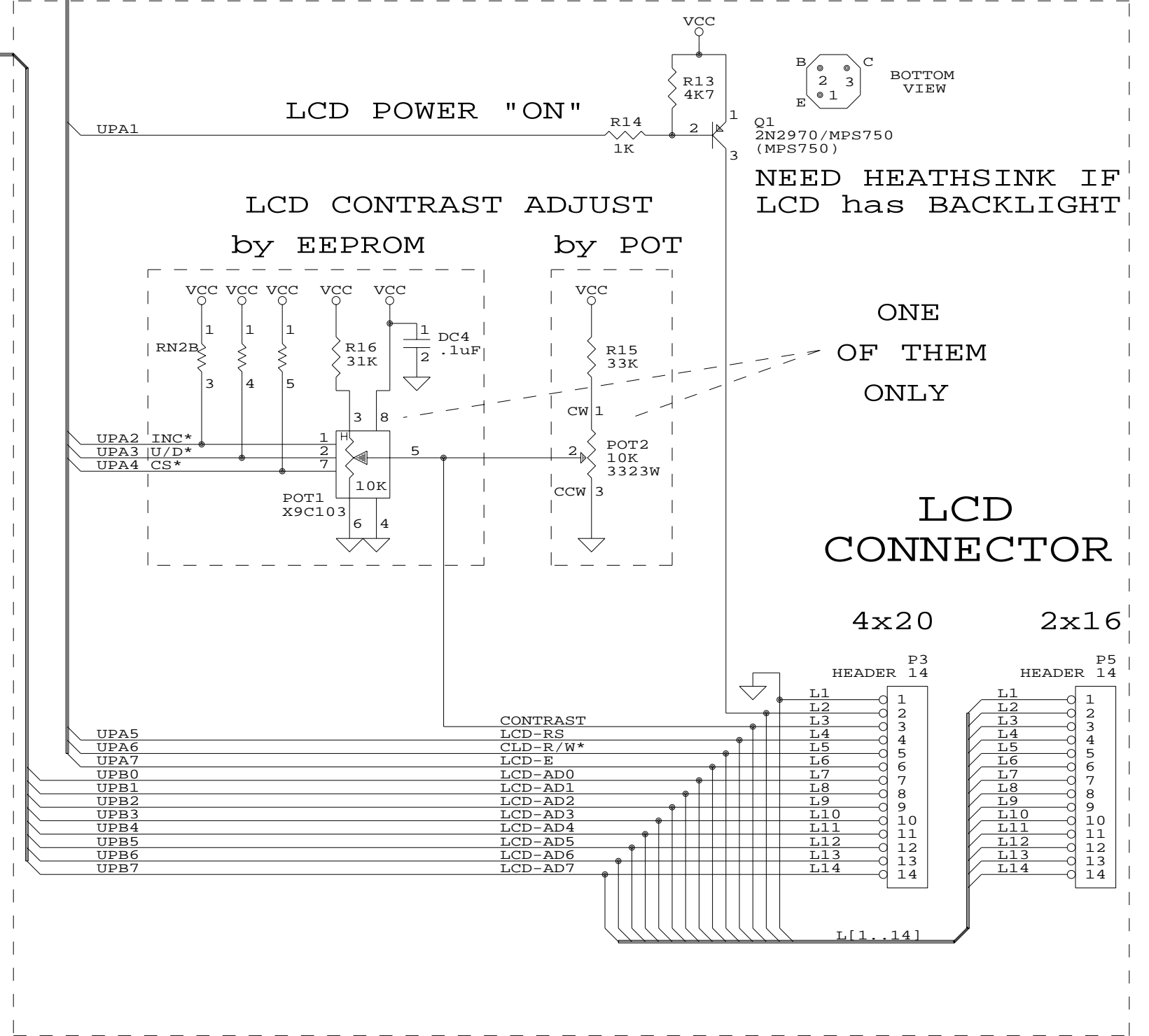
## BUS



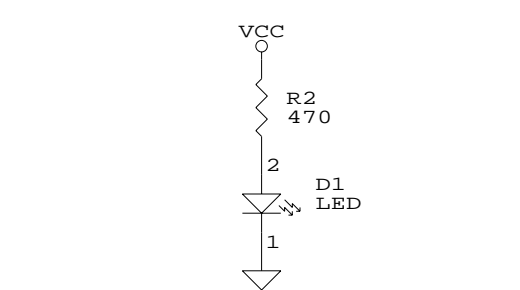
## BUZZER



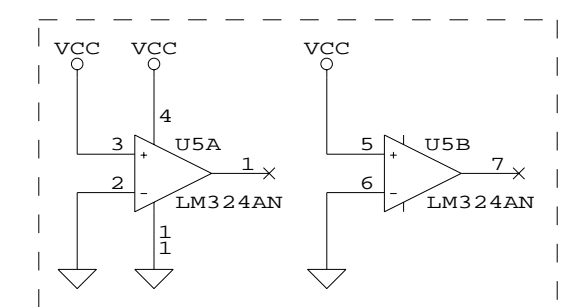
## LCD INTERFACE



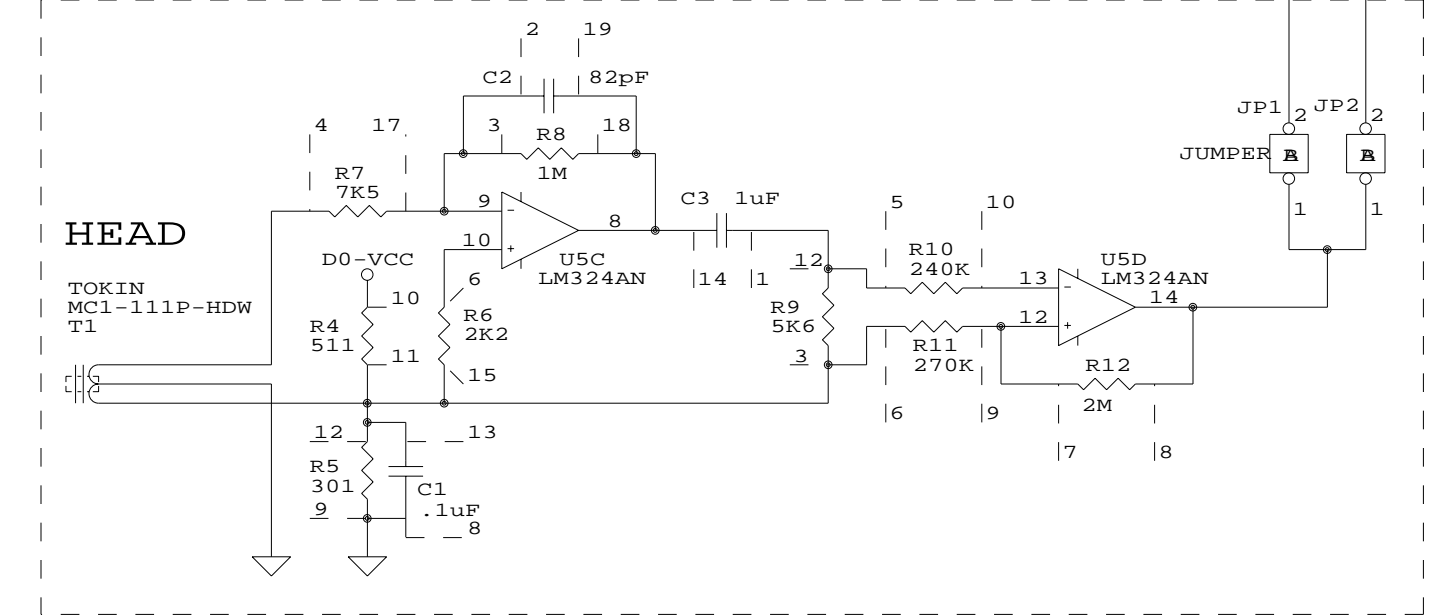
## "ON" LED



## SPARES



## MAGNETIC HEAD



## KEYBOARD

